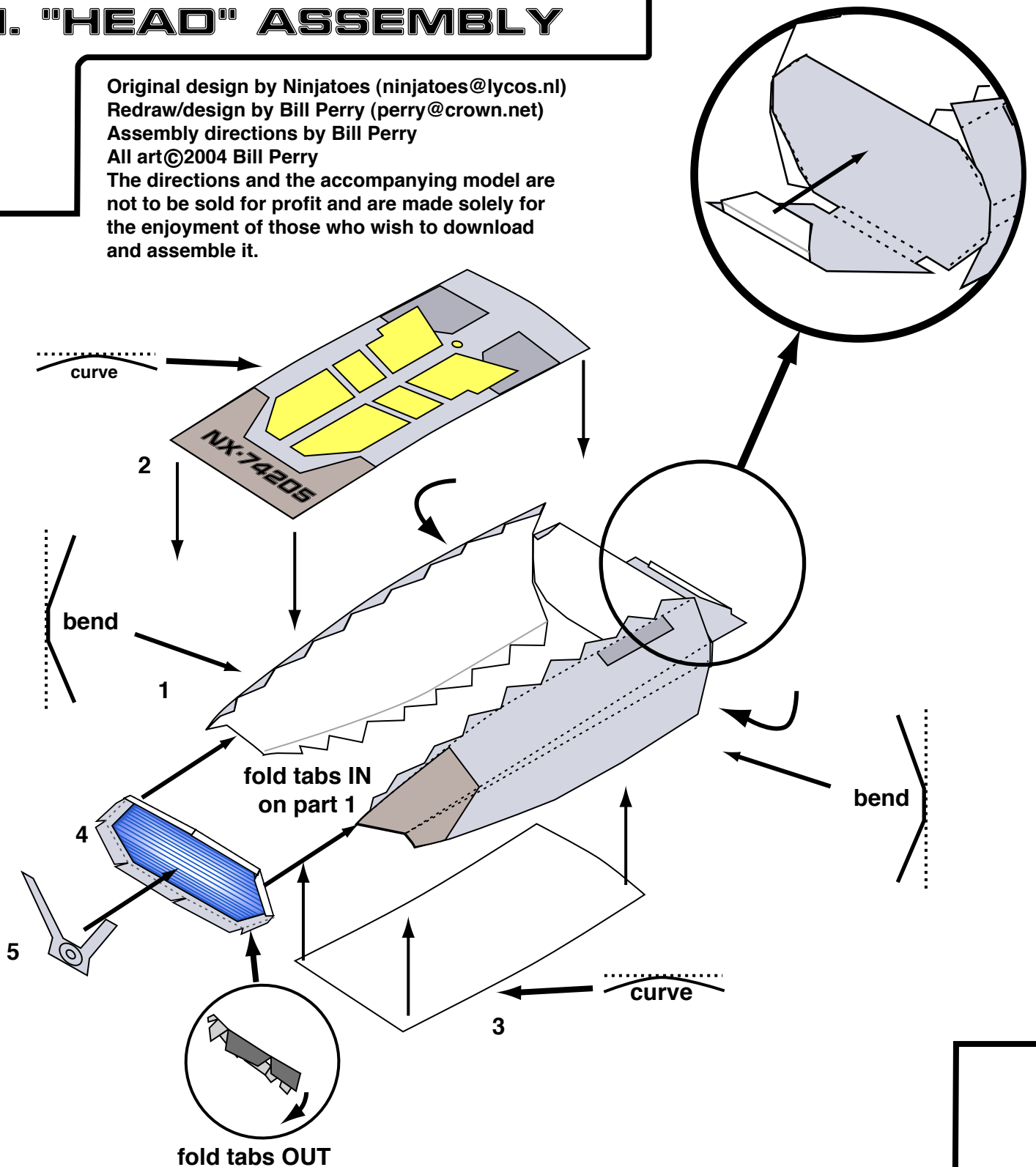


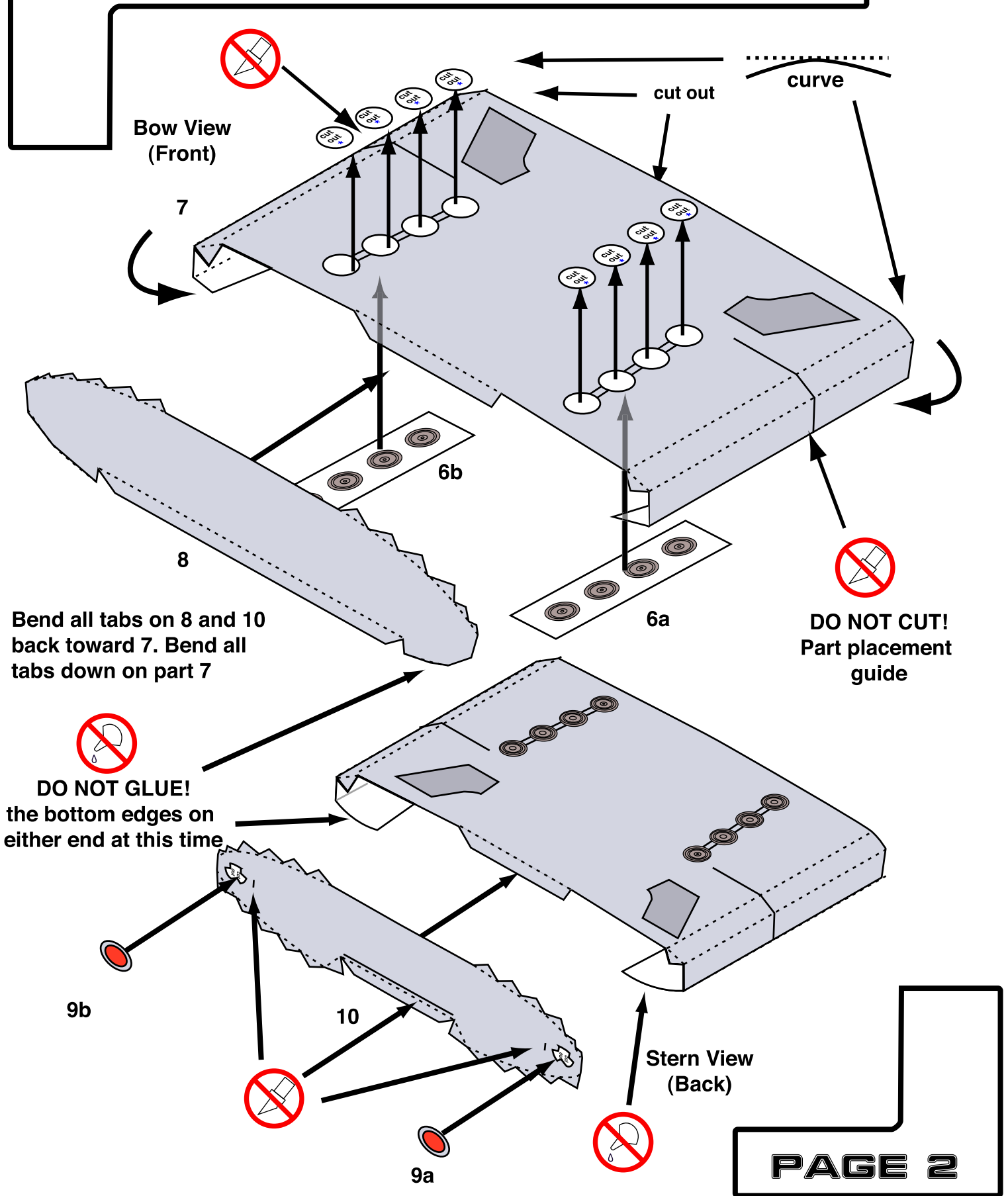
U.S.S. DEFIANT NX-74205 ASSEMBLY DIRECTIONS

1. "HEAD" ASSEMBLY

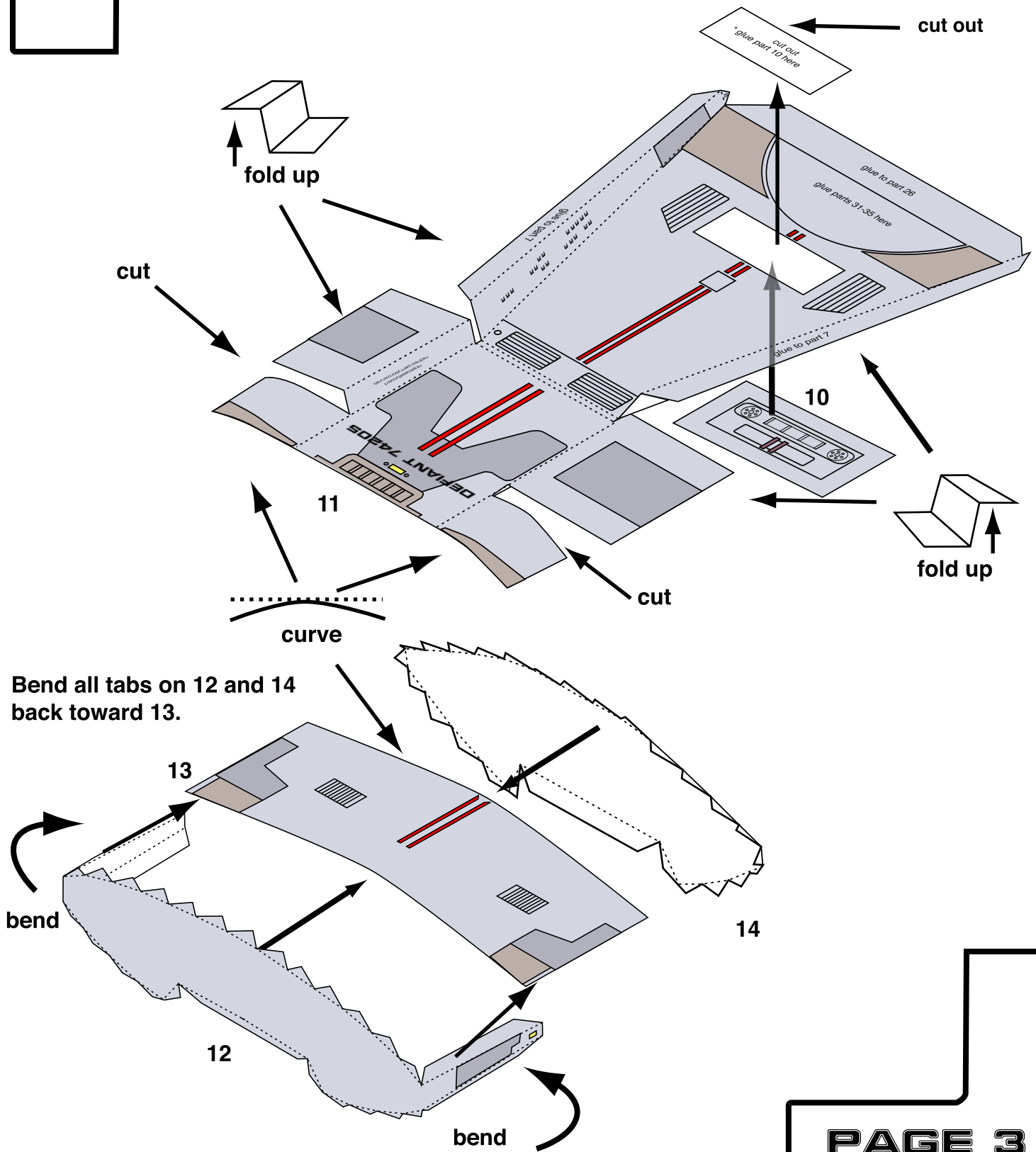
Original design by Ninjatoes (ninjatoes@lycos.nl)
Redraw/design by Bill Perry (perry@crow.net)
Assembly directions by Bill Perry
All art©2004 Bill Perry
The directions and the accompanying model are
not to be sold for profit and are made solely for
the enjoyment of those who wish to download
and assemble it.



2. AFT HULL ASSEMBLY

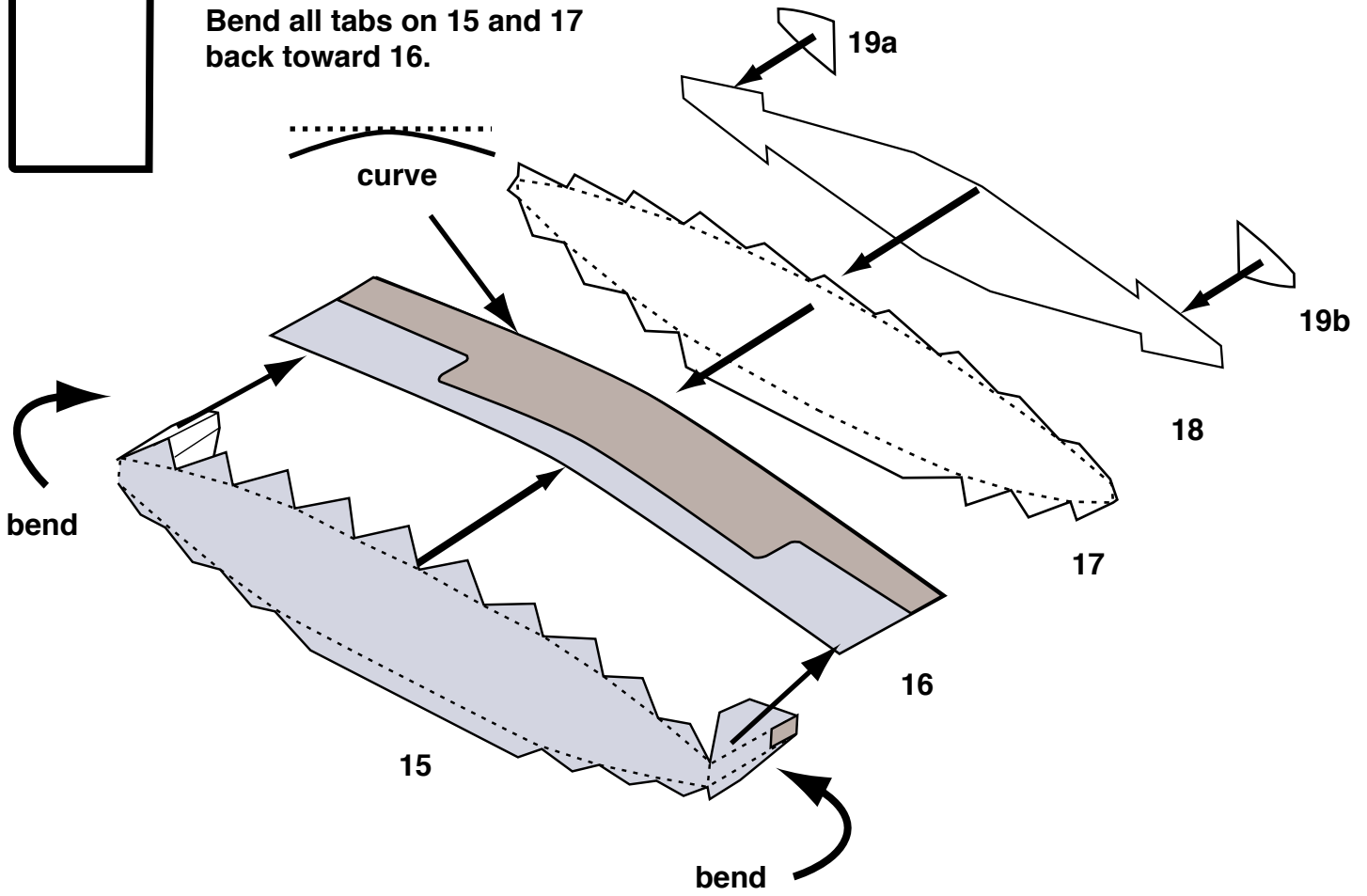


3. AFT HULL ASSEMBLY - 2

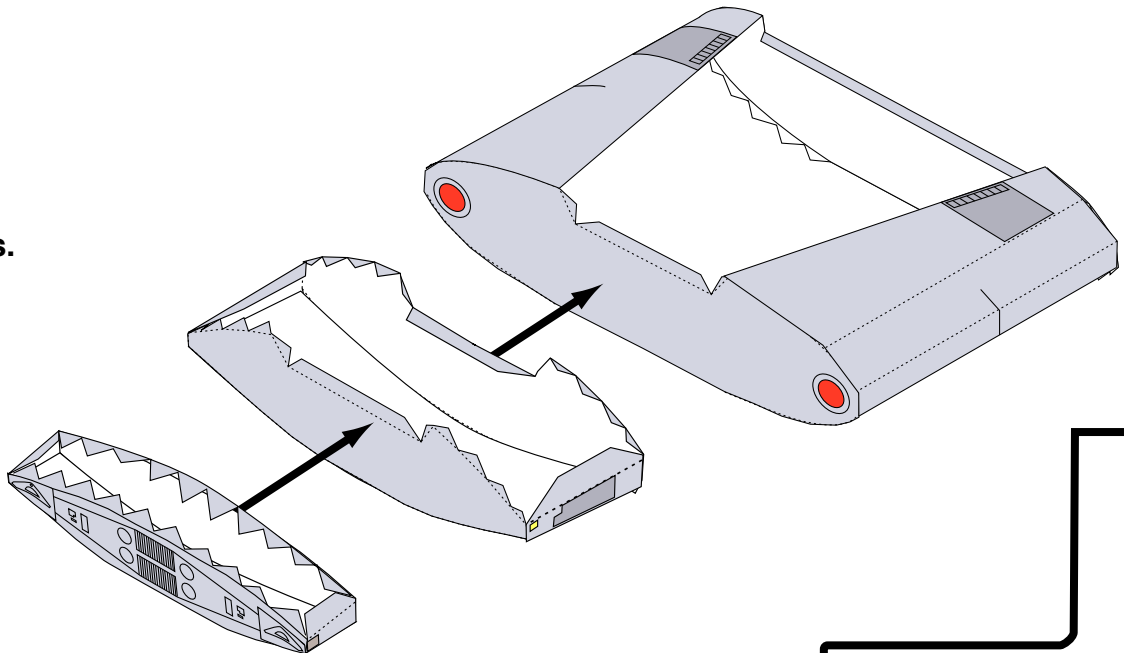


4. AFT HULL ASSEMBLY - 3

Bend all tabs on 15 and 17
back toward 16.

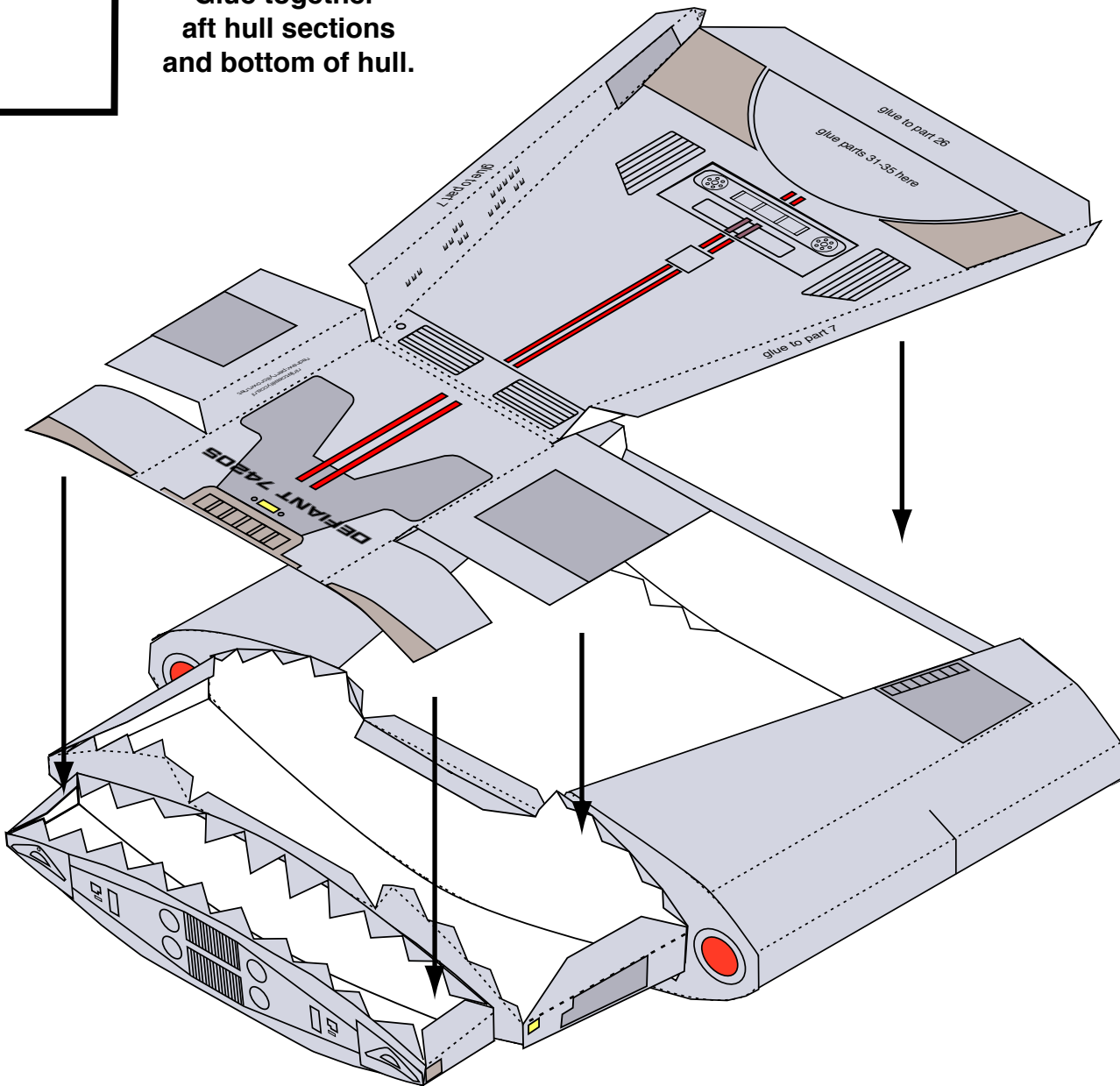


Glue together
aft hull sections.



5. AFT HULL ASSEMBLY - 4

Glue together
aft hull sections
and bottom of hull.

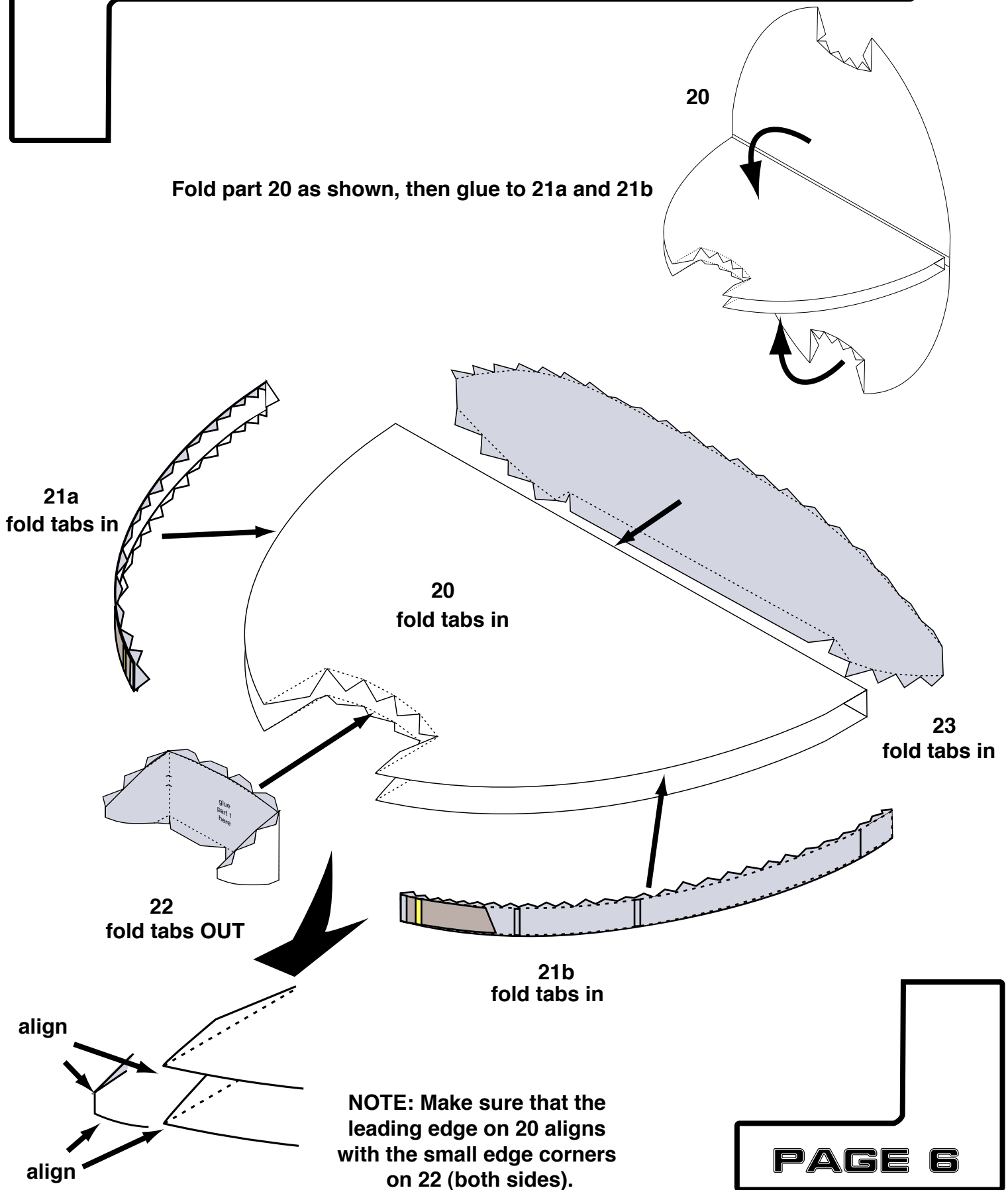


NOTE:

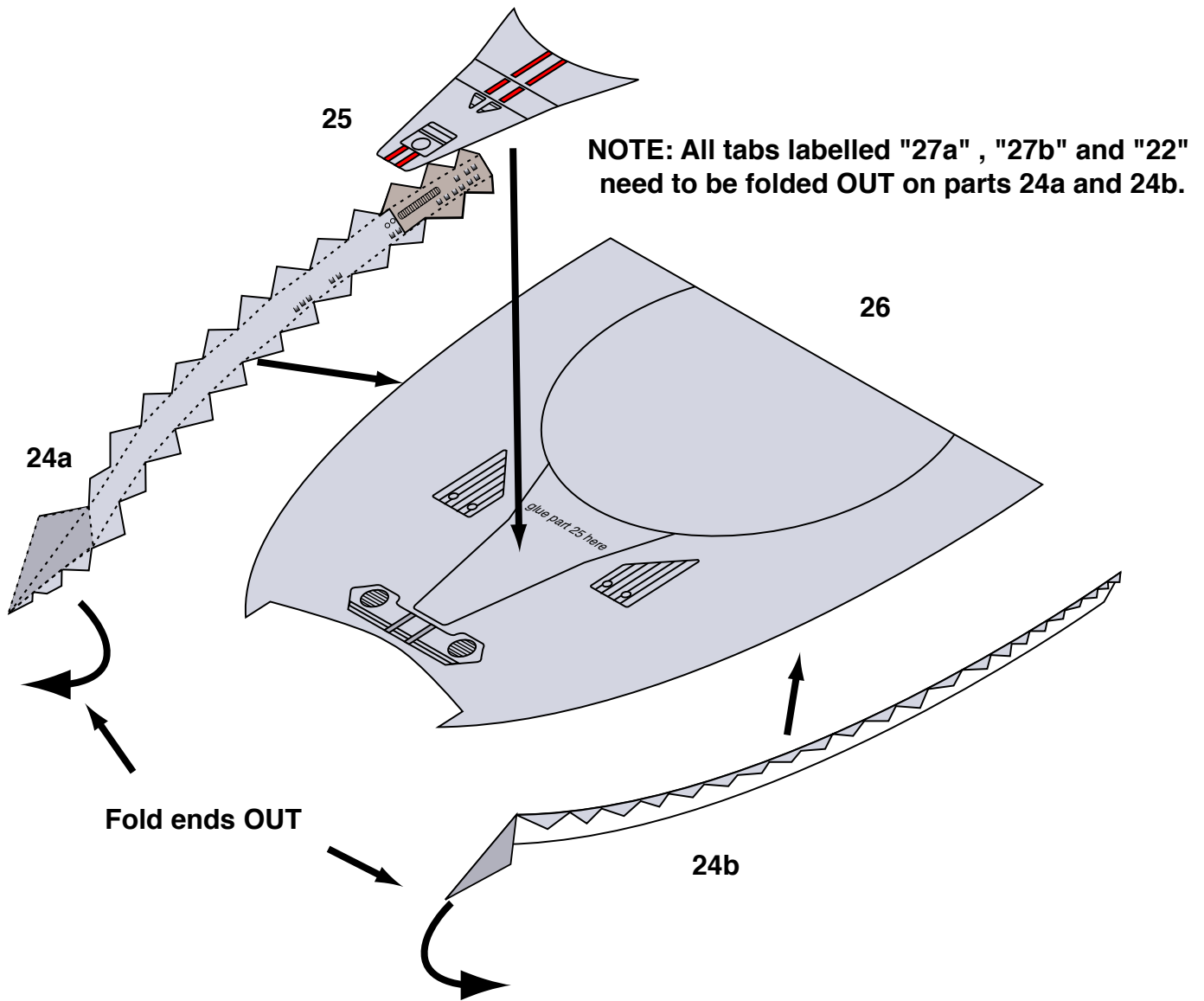
Glue bottom of hull (11) to part 7,8,10 (large aft hull section)
and then glue the flaps from part 7 to bottom of 8,10, 11.

6. FORWARD HULL ASSEMBLY - 1

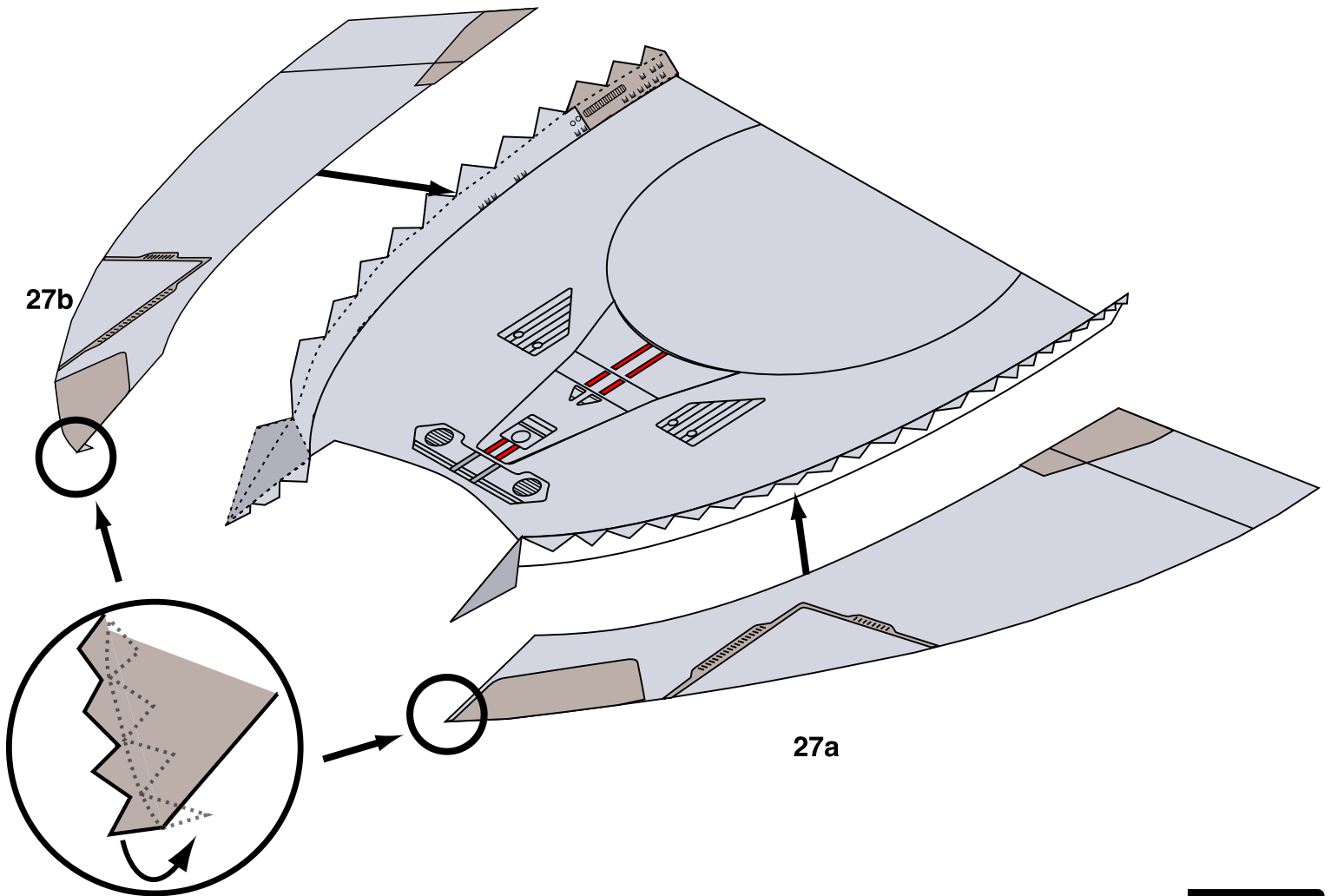
Fold part 20 as shown, then glue to 21a and 21b



6. FORWARD HULL ASSEMBLY [BOTTOM] - 2



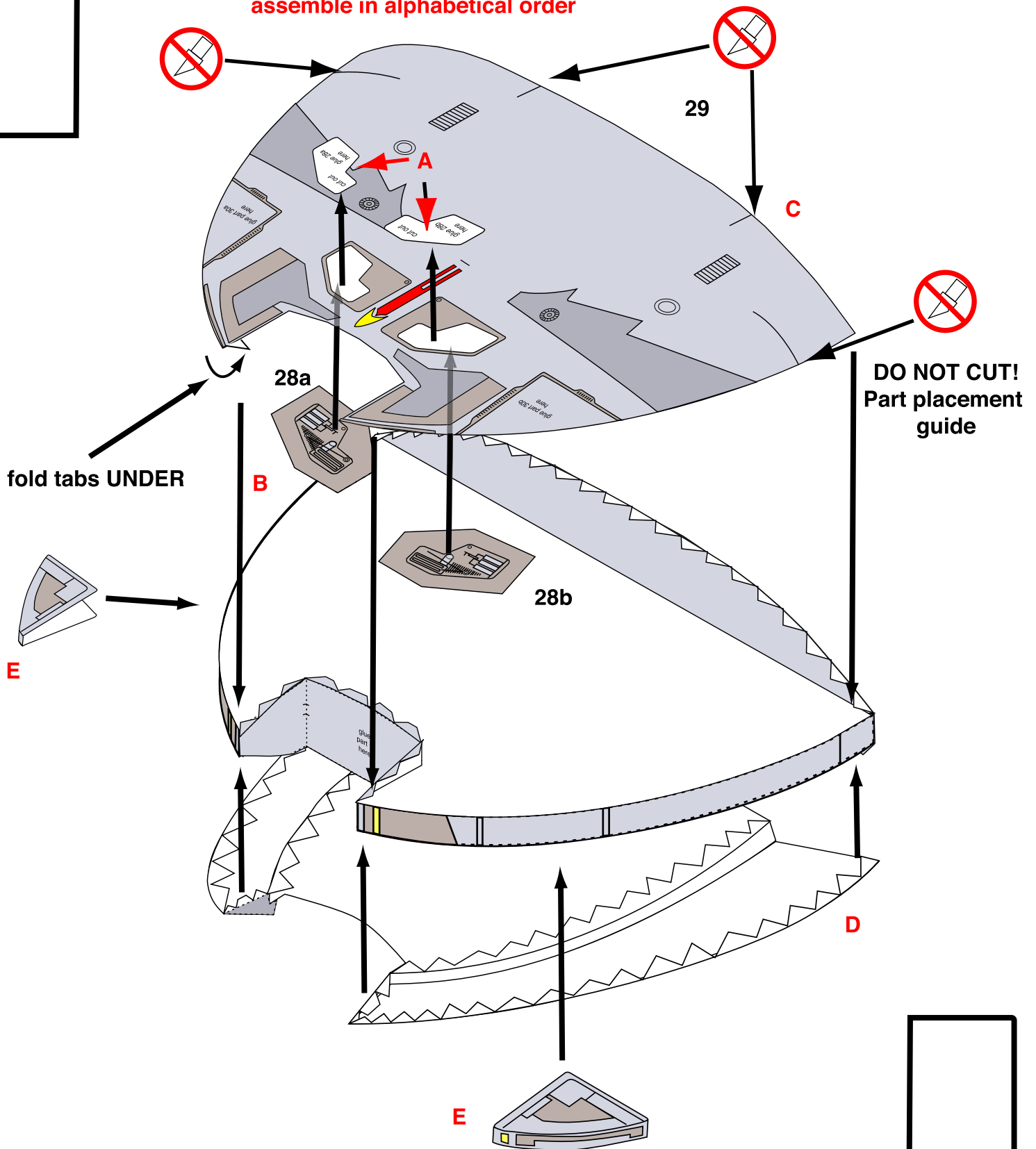
6. FORWARD HULL ASSEMBLY [BOTTOM] - 3



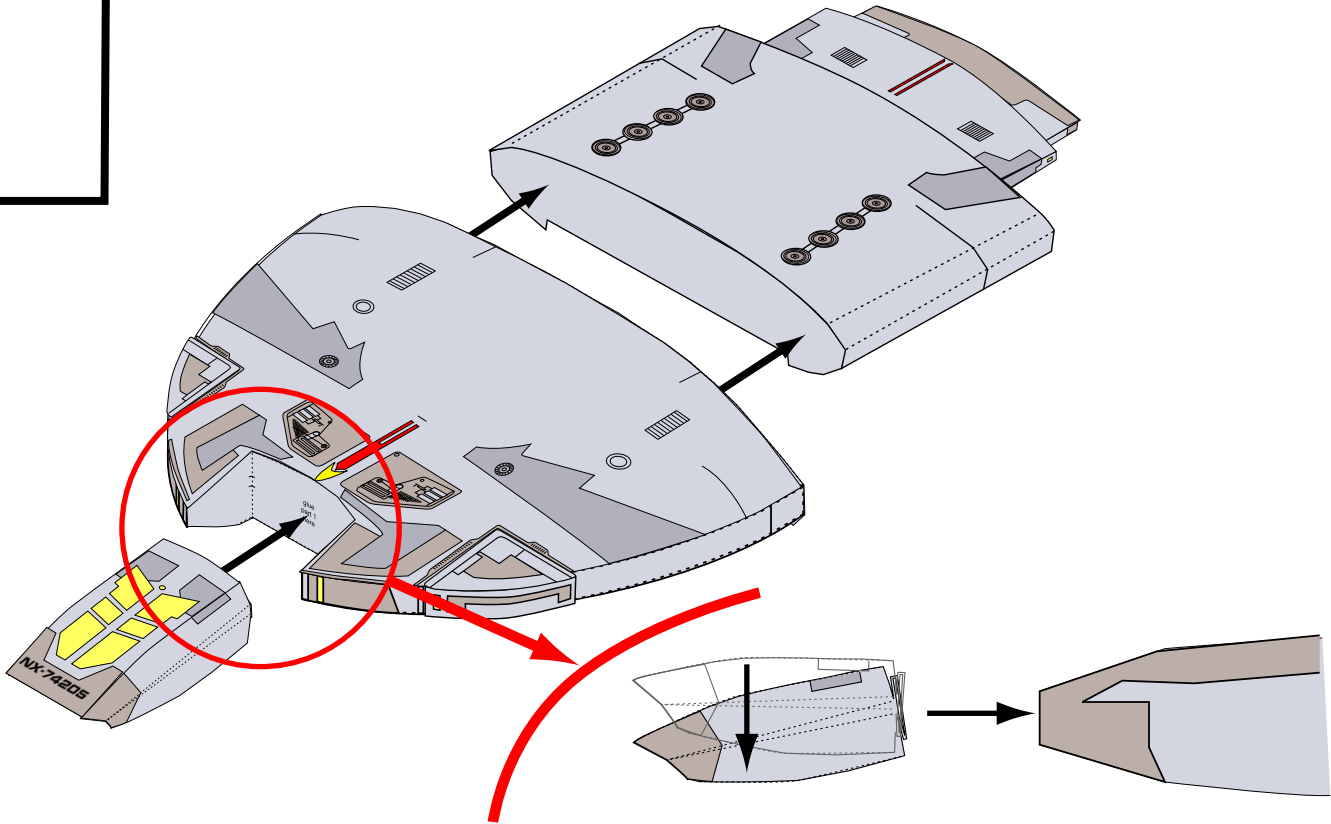
Fold ALL tabs UNDER

7. FORWARD HULL ASSEMBLY - 4

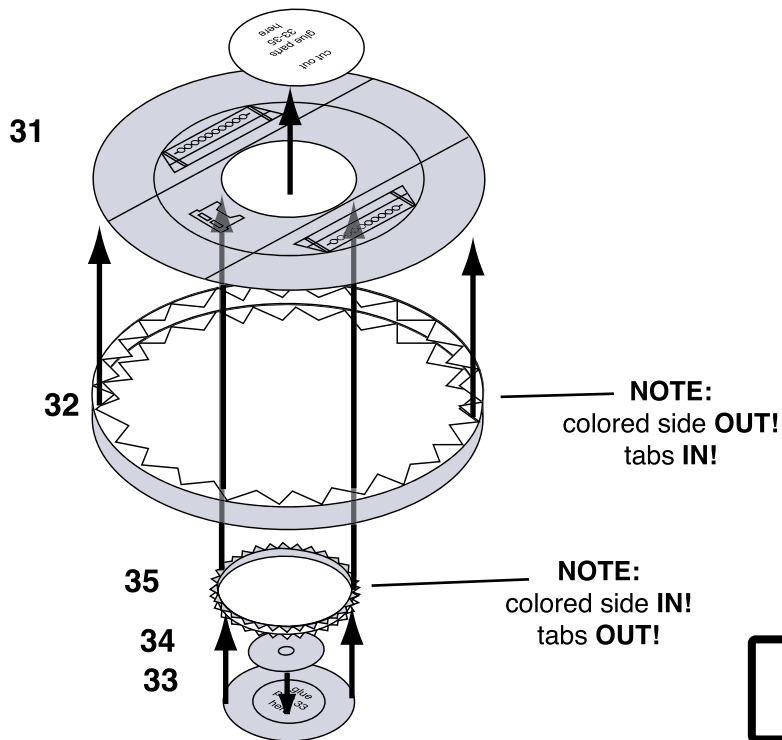
assemble in alphabetical order



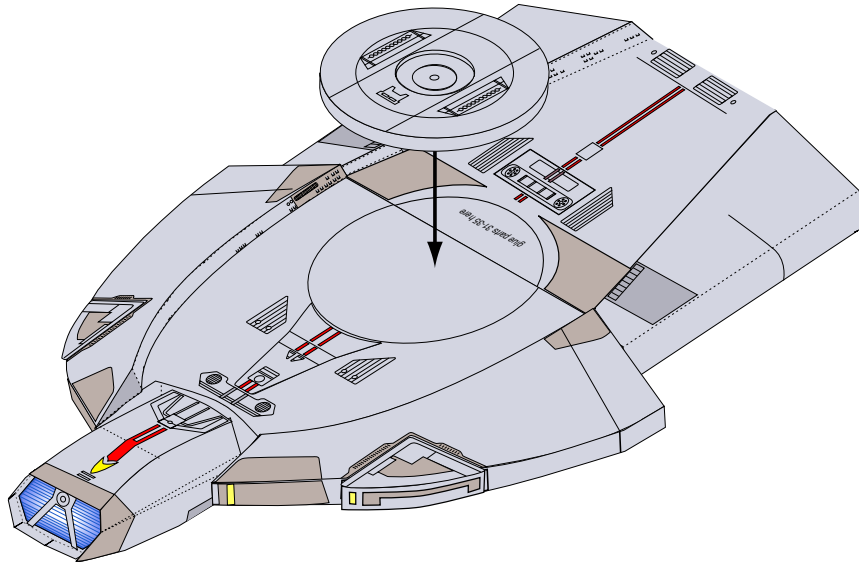
10. PRIMARY HULL ASSEMBLY



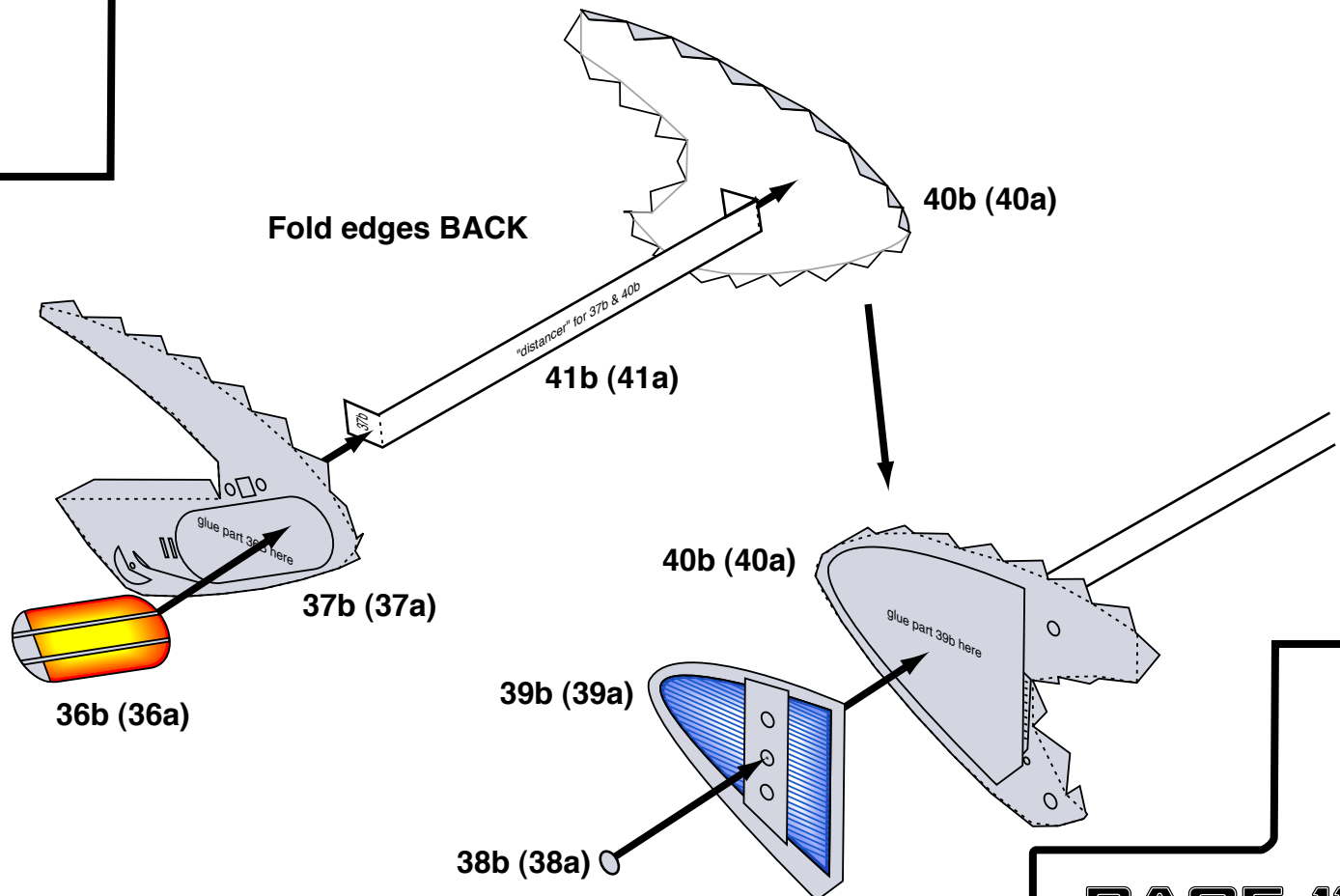
11. SHUTTLE BAY ASSEMBLY



12. SHUTTLE BAY ASSEMBLY-2

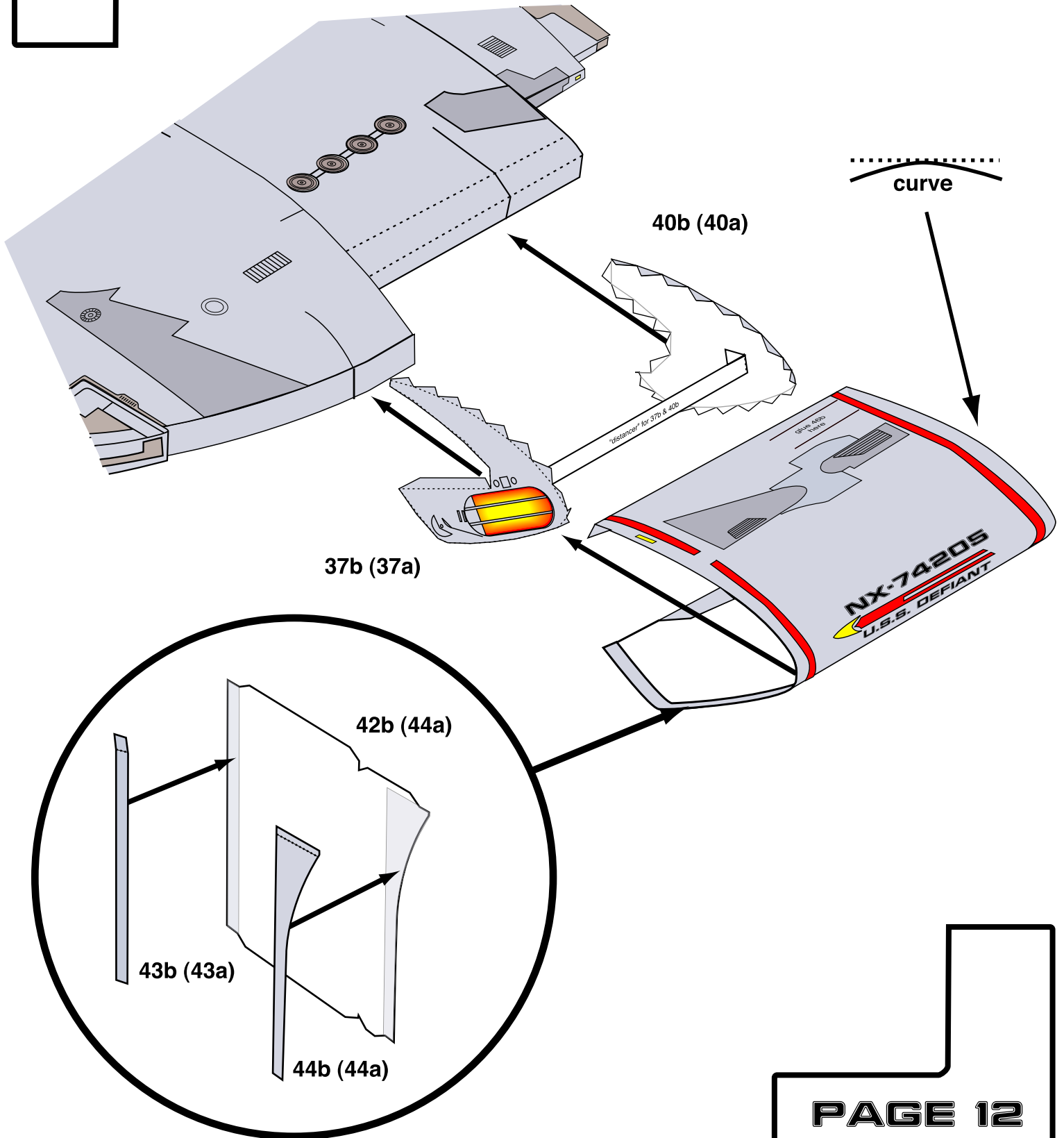


13. WARP DRIVE ASSEMBLY

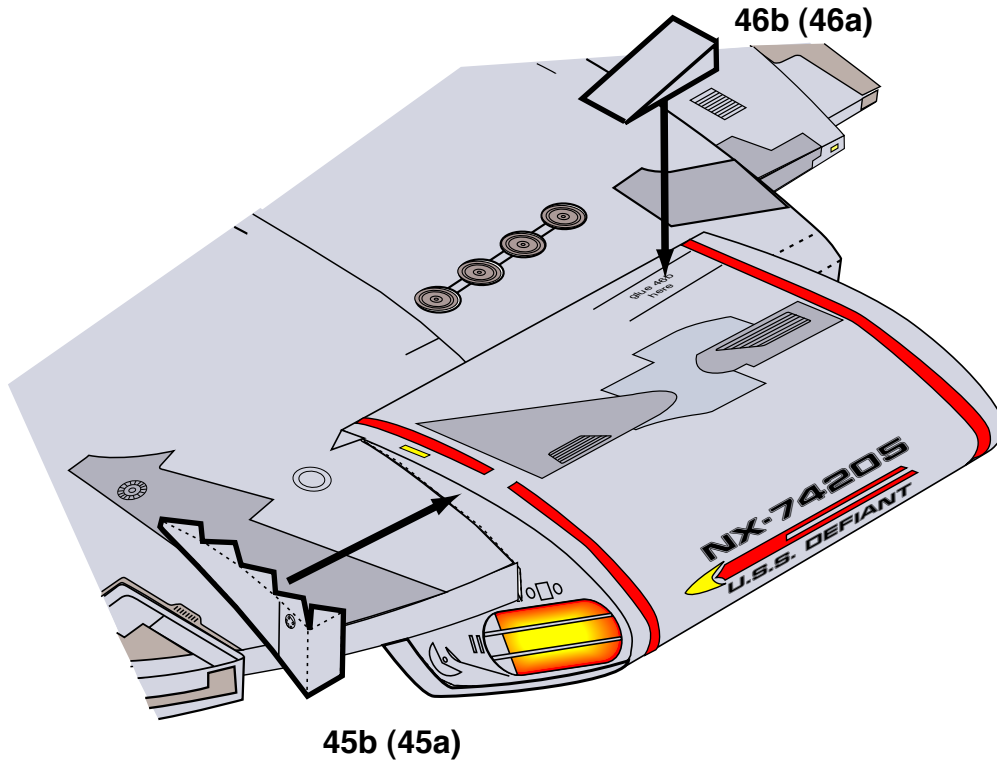


14. WARP DRIVE ASSEMBLY-2

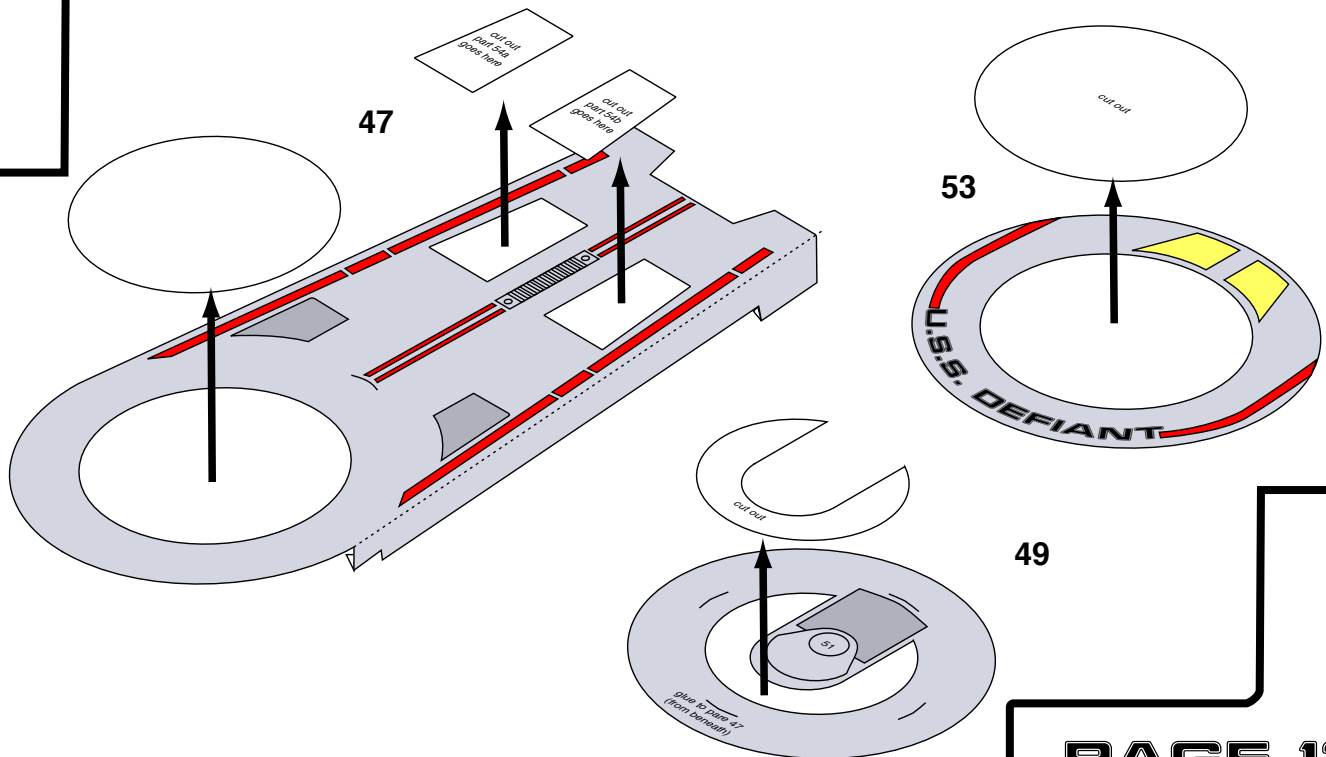
Align 37b (37a) and 40b (40a) with the guide marks on the hull and glue into place



15. WARP DRIVE ASSEMBLY - 3



16. PRIMARY/COMMAND DECK



17. PRIMARY/COMMAND DECK - 2

